

700 Series

Field Liquid Fillable • Stainless Steel Case

INDUSTRIAL GAUGES



700SS shown



- ▶ 2 1/2", 4", 6" Dial Sizes
- ▶ ±1.0% Accuracy
- ▶ Stainless Steel Case
- ▶ Field Liquid Fillable

The Trerice **700 Series** Industrial Gauge is designed for the varying needs of the world's industrial applications. This gauge has a stainless steel case and ring. Its sturdy interior design and field liquid-fill capability (no kit required) provide the durability and accuracy required for industrial process environments. Available wetted parts are bronze tube with Lead-Free (PBF) brass socket, stainless steel tube and socket, or Monel tube and socket.

- **Optional features and case style variations available: Please consult the Options & Accessories Section for details.**
- **For correct use and application of all pressure gauges, please refer to: Pressure Gauge Standard ASME B40.100.**

Note: "NEW" Range Codes

HOW TO ORDER

Sample Order Number: **700LFSS 25 02 B A 300**

Model	Dial Size	Connection Size	Connection Location	Units of Measure	Range Code
700B	25 2 1/2" *	02 1/4 NPT	L Lower	A psi	See Standard Ranges
700LFB	40 4"	04 1/2 NPT	B Back	D psi/kPa	
700SS	60 6"				Note: "NEW" Range Codes
700LFSS					
700M					
700LFM					

* Not available with Monel wetted parts or with 1/2 NPT connection.

Specifications

Models	Wetted Parts
700B (dry) 700LFB (liquid-filled)	Bronze tube, brass socket Lead-Free (PBF) Meets NSF/ANSI Standards 372 and 61
700SS (dry) 700LFSS (liquid-filled)	316 stainless steel tube and socket
700M (dry) 700LFM (liquid-filled)	Monel tube and socket (meets NACE MR 01.75)

Dial Sizes	2 1/2", 4", 6"
Fill	Glycerine. Other fills available. See Options & Accessories.
Movement	700B Brass, 700SS, 700M Stainless steel
Connection	2 1/2" Dial Size: Lower male or center back male, 1/4 NPT 4", 6" Dial Size: Lower male or lower back male, 1/4 or 1/2 NPT
Case	304 stainless steel, satin finished, stem-mounted flangeless
Ring	Bayonet type, 304 stainless steel
Window	Laminated safety glass
Pointer	2 1/2" Dial Size: Adjustable, black finished 4", 6", Dial Size: Micro adjustable, black finished
Dial Face	Aluminum, white background with black graduations and markings
Accuracy	±1.0% Full Scale, ASME B40.100 Grade 1A
Maximum Temperature	700SS, 700M: 250°F (121°C) 700B, 700LFB, 700LFSS, 700LFM: 150°F (65°C)

Approximate Shipping Weight

700B, 700SS 2 1/2" Dial Size:
0.4 lbs [0.18 kg]
700LFB, 700LFSS, 700LFM
2 1/2" Dial Size:
0.5 lbs [0.23 kg]
700B, 700SS, 700M 4" Dial Size:
1.3 lbs [0.59 kg]
700LFB, 700LFSS, 700LFM
4" Dial Size:
2.1 lbs [0.95 kg]
700B, 700SS, 700M 6" Dial Size:
2.0 lbs [0.91 kg]
700LFB, 700LFSS, 700LFM
6" Dial Size:
3.8 lbs [1.72 kg]

700 Series

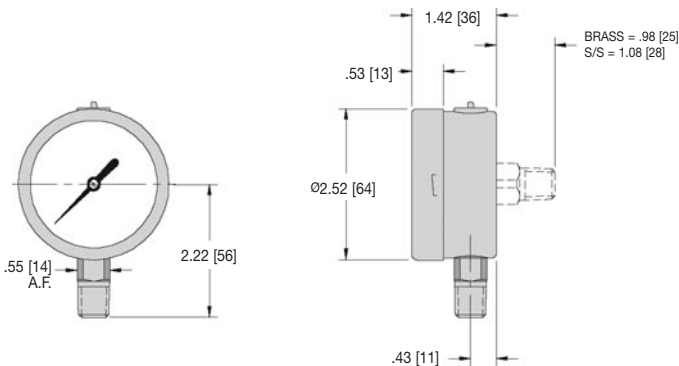
All dimensions are nominal. Dimensions in [] are in millimeters.

Field Liquid Fillable • Stainless Steel Case

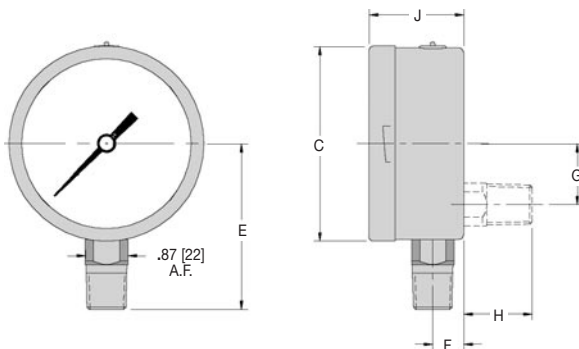
INDUSTRIAL GAUGES

Dial Size	Material	C	E	F	G	H	J
4"	Brass	3.98 [101]	3.39 [86]	0.94 [24]	1.04 [27]	1.44 [37]	2.24 [57]
	SS	3.98 [101]	3.39 [86]	0.94 [24]	1.36 [35]	1.38 [35]	2.24 [57]
6"	Brass	6.34 [161]	4.57 [116]	0.69 [18]	1.04 [27]	1.44 [37]	1.97 [50]
	SS	6.34 [161]	4.57 [116]	0.69 [18]	1.36 [35]	1.38 [35]	1.97 [50]

2 1/2"



4" & 6"



Standard Ranges Note: "NEW" Range Codes

psi Ranges (A)				
All Sizes				
NEW Range Code	OLD Range Code	Specific Range	Figure Intervals	Minor Divisions
30/0	010	30" Hg to 0	5	0.5
30/15	020	30" Hg to 15 psi	10/5	1.0/0.5
30/30	030	30" Hg to 30 psi	10/5	1/1
30/60	040	30" Hg to 60 psi	10/10	2/1
30/100	050	30" Hg to 100 psi	30/20	2/2
30/150	060	30" Hg to 150 psi	30/20	5/2
30/300	070	30" Hg to 300 psi	30/50	5/5
15	080	0 to 15 psi	3	0.2
30	090	0 to 30 psi	5	0.5
60	100	0 to 60 psi	10	1
100	110	0 to 100 psi	10	1
160	120	0 to 160 psi	20	2
200	130	0 to 200 psi	20	2
300	140	0 to 300 psi	50	5
400	150	0 to 400 psi	50	5
600	160	0 to 600 psi	100	10
Ranges over 600 psi are not available in 700B or 700LFB in 4" or 6" Dial Sizes.				
1000	180	0 to 1000 psi	100	20
1500	190	0 to 1500 psi	300	20
2000	200	0 to 2000 psi	200	20
3000	210	0 to 3000 psi	500	50
5000	220	0 to 5000 psi	1000	100
10000	230	0 to 10,000 psi	1000	200
Ranges over 10,000 psi are ONLY available in 700SS or 700LFSS in 4" or 6" Dial Sizes.				
15000	240	0 to 15,000 psi	3000	200

For dual scale ranges, specify the appropriate **Units of Measure: D** (psi/kPa) followed by the corresponding **A** (psi) **Range Code**. Other pressure ranges are also available including: Altitude, Ammonia, Refrigerant and Receiver. Consult Special Application Ranges section or factory for availability.